



K·V DRIVE TECHNOLOGY

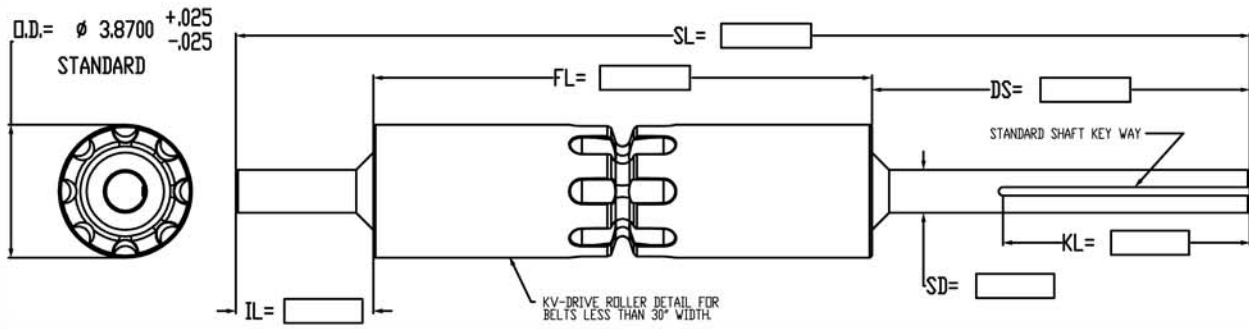


KOFAB has designed and engineered a pulley product that will eliminate slipping, belt tracking and sanitation concerns. The unique K-V Drive Pulley* has a positive, quiet and self-tracking feature with all stainless steel construction and 3-A dairy approval. Originally designed to drive the Volta® Super Drive® belt, it can be used to run on other belts such as the flat belt and standard "A" section V-Guide belt designs. The K-V Drive Pulley, when used with the Volta Super Drive belt, will outlast and outperform modular belts with plastic sprockets.

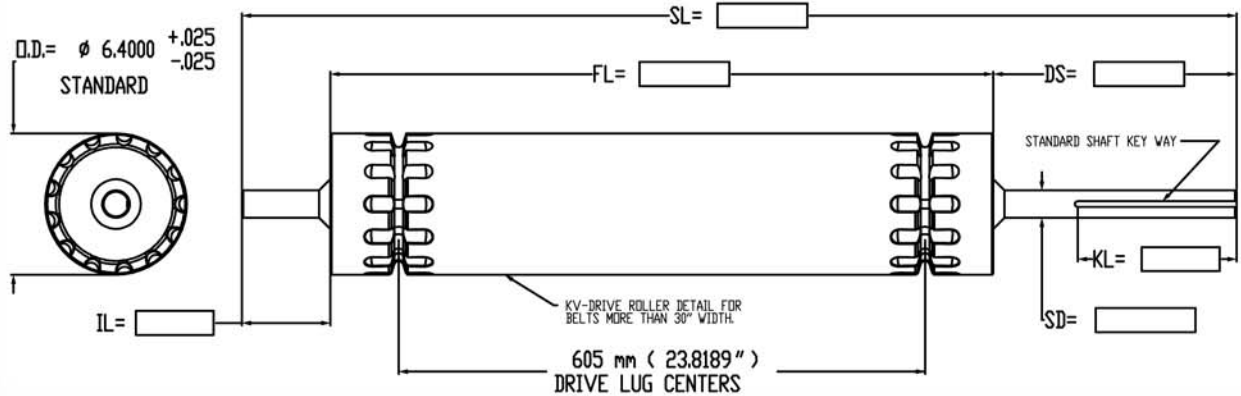


K·V DRIVE TECHNOLOGY

Belt width of 6" wide to 30" wide requires single lug detail.



Belt width of 31" wide to 60" wide requires dual lug details.



ALSO AVAILABLE
IN MOTORIZED PULLEYS

